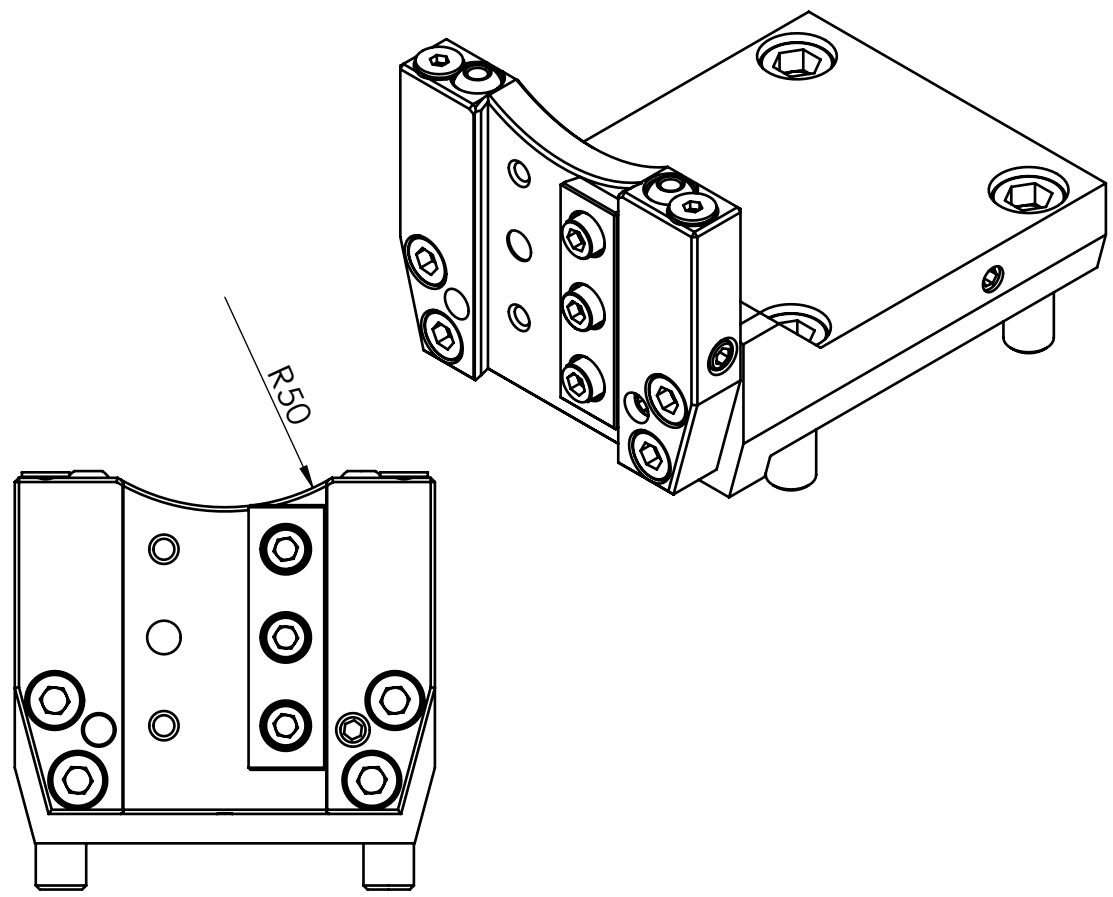
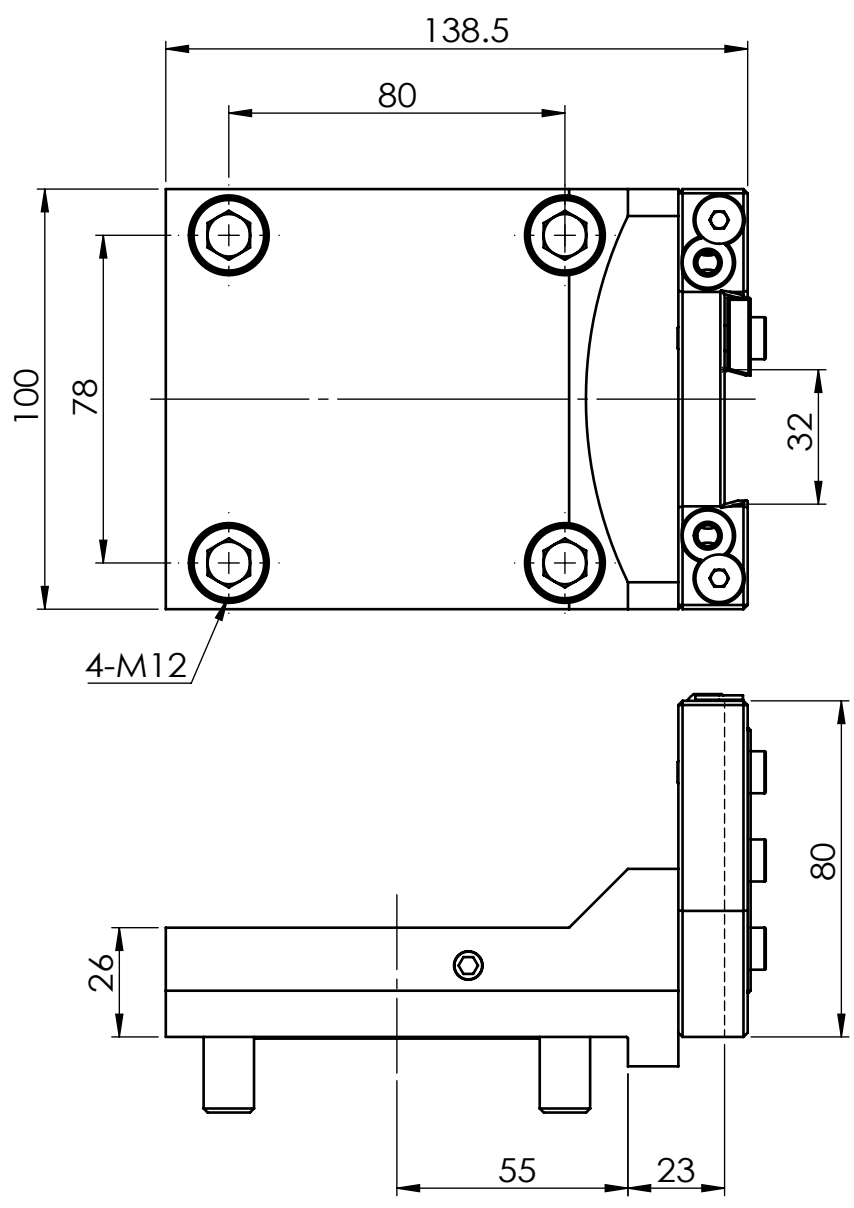


TECHNICAL FEATURES :



Machine type :
LB4000EX




豪力輝工業股份有限公司
HOLD WELL INDUSTRIAL CO.,LTD
E-mail : sales@mail.holdwell.com
http://www.holdwell.com

品號
Model No.
品名
Description

THL-KB4-H1-6032
Okuma60-SH32切斷刀座H1
Okuma60-SH32 Cut-off Tool Holder, Adjustable H1