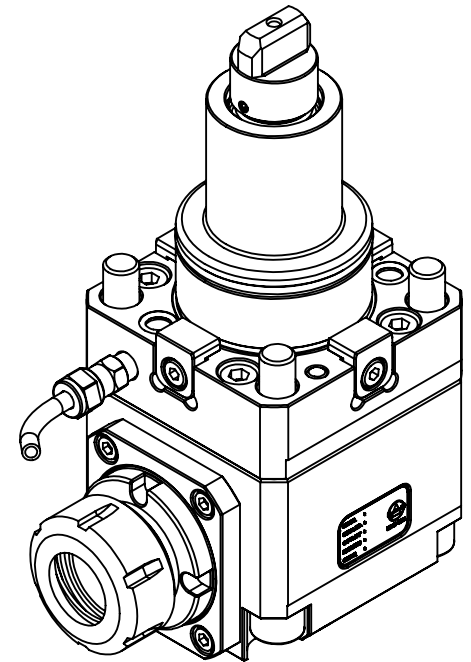


TECHNICAL FEATURES :
 Max speed : 4000rpm
 Max torque : 40Nm
 Ratio : 1:1
 Output : ER32
 Coolant : External



Machine type :

PUMA 2100/2600/3100 (M,LM,MS,LMS) fiPUMA 300 (M,MS,MB,MC)
 PUMA MX2000/2500/2600 (T,ST) fiPUMA TT2000/2500 (MS,SY)
 PUMA V400 (M) fiPUMA VT450 (M,M-2SP)
 Hyundai WIA L2100/ L2600 (Y/SY) fiSKT250/300 (M,LM)



豪力輝工業股份有限公司

HOLD WELL INDUSTRIAL CO.,LTD

E-mail : sales@mail.holdwell.com

http://www.holdwell.com

品號

Model No.

THM-B05.72-65C

品名

Description

BMT65-1809 徑向筒夾式動力刀座

BMT65-1809-ER32 Raidal Driven Tool Holder 72mm